



Issue	December 21, 2024
Rev.	1.0
Page	5

## CRYSTAL UNIT SPECIFICATIONS

客户批准 Customer Approval

(请批准后回签一份 Please Return A Copy With Approval)

Customer	
Customer P/N	
Product	<b>CRYSTAL RESONATORS</b>
Spec	<b>HC-49U-FA/500.0K~200.000M</b>
A-Crystal P/N	<b>AHF Series</b>

Drawn	Checked	Approved
<i>Caoqiaobang</i>	<i>Fengying</i>	<i>Tanqlong</i>



**ZHEJIANG A-CRYSTAL**  
ELECTRONIC TECHNOLOGY CO., LTD.



## 1. ELECTRICAL SPECIFICATIONS

### 1.1 Hold Type: HC-49U-FA

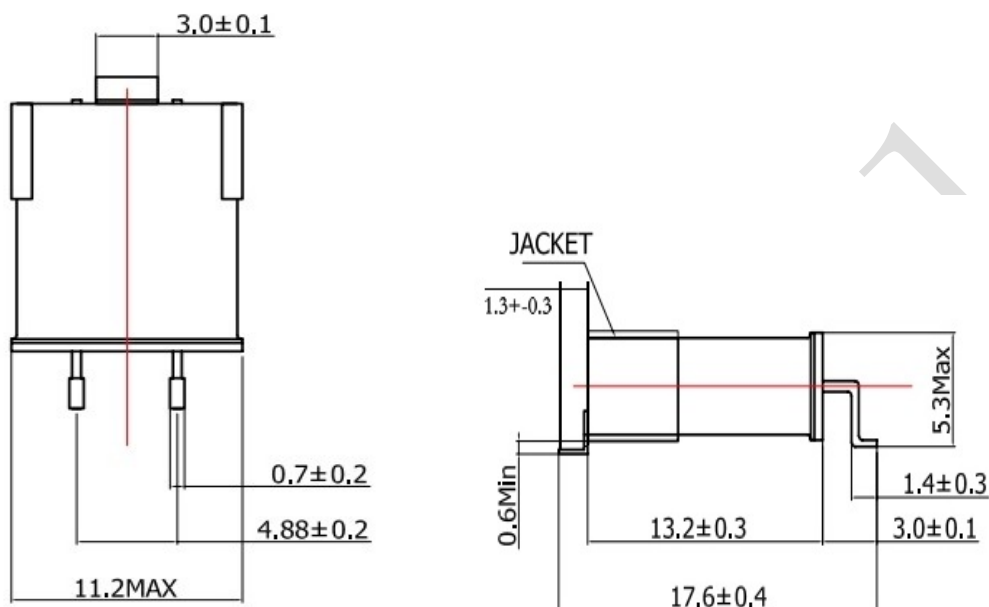
No.	Item	Symb	Electrical Specification				Remark
			Min.	Type	Max.	Units	
1	Nominal Frequency	F0	500.0K		200.00	MHz	
2	Mode of Vibration	■ Fundamental △3rd Overtone △5th Overtone					
3	Frequency Tolerance	$\Delta F/F_0$	±10	±30	±50	ppm	at 25°C±3°C
4	Operating Temperature Range	T <sub>OPR</sub>	-20 -40	-	+70 +85	°C	
5	Frequency Stability	T <sub>C</sub>	±30	-	±50	ppm	
6	Storage Temperature	T <sub>STG</sub>	-40	-	+85	°C	
7	Load capacitance	CL	6~specify			pF	
8	Equivalent Series Resistance	ESR	Seepage 1			Ω	
9	Drive Level	DL	-	-	100	μW	
10	Insulation Resistance	IR	500	-	-	MΩ	At 100V <sub>DC</sub>
11	Shunt Capacitance	C <sub>0</sub>	-	-	7	pF	
12	Aging Per Year	F <sub>a</sub>	-5	-	+5	ppm	First Year
13	Package type	17.6*11.2*5.3					

#### Seepage1

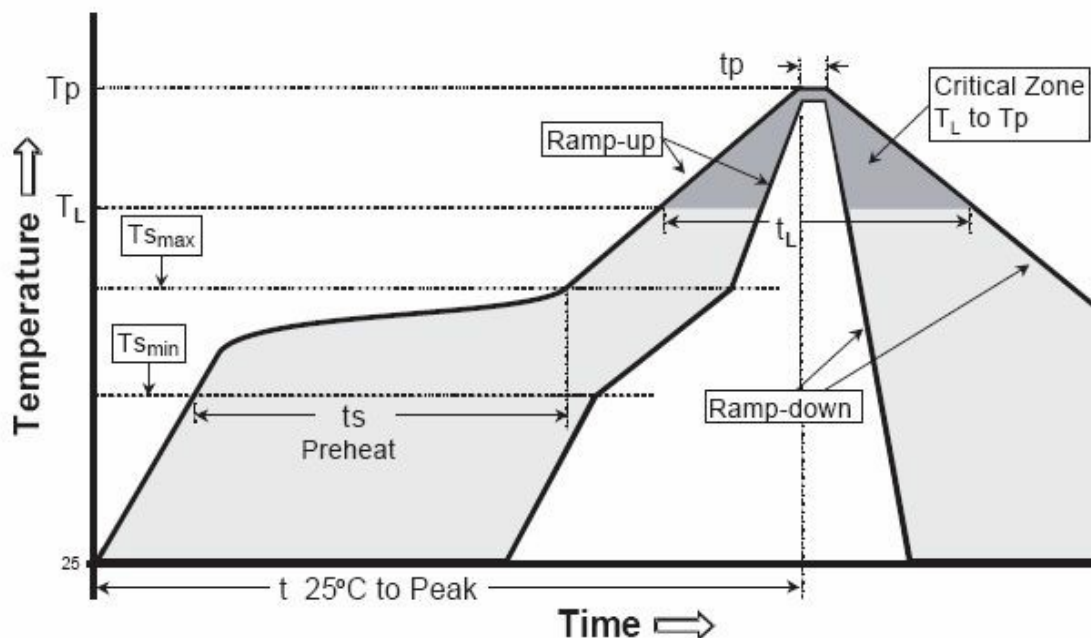
Frequency Range	Mode of Vibration	ESR (Ω) Max
0. 500MHz≤F0<1. 8432MHz	Fund	<3000
1. 8432MHz≤F0<3.000MHz	Fund	<500
3. 100MHz≤F0<4. 900MHz	Fund	<100
5. 000MHz≤F0<12. 000MHz	Fund	<40
12. 10MHz≤F0<40. 000MHz	Fund	<30
20. 100MHz≤F0<100. 000MHz	3rd OT	<40
100. 100MHz≤F0<150. 000MHz	5rd OT	<80
150. 100MHz≤F0≤200. 000MHz	7th OT	<100



1.2 Dimension (Unit: mm)



1.3 The soldering requirements

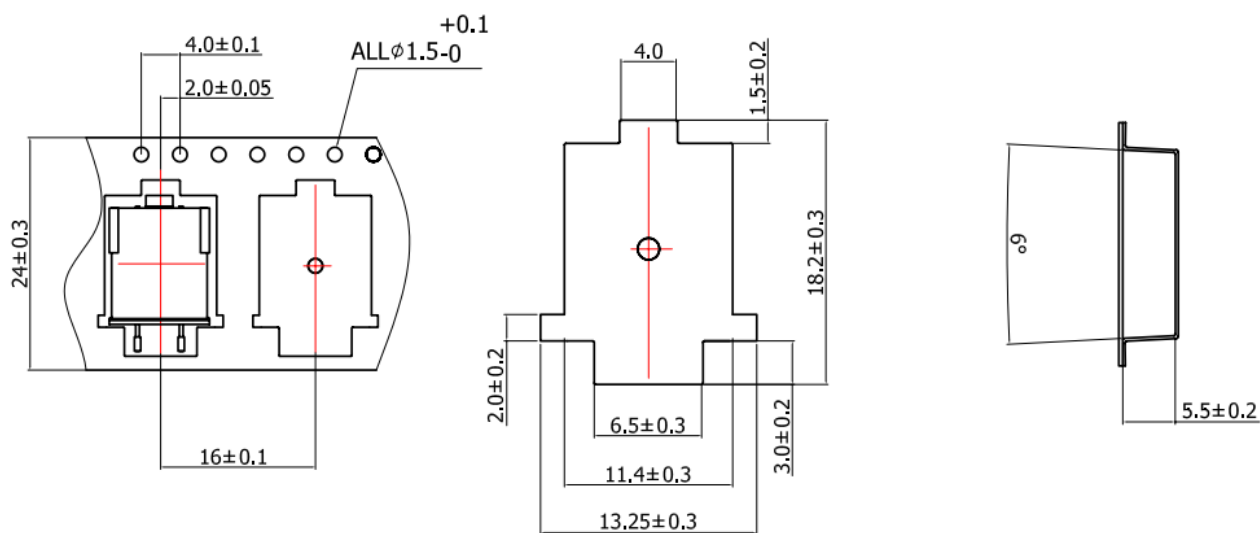


$T_s = 180^\circ\text{C} / 70 \sim 100\text{sec}$ ,  $T_L = 240^\circ\text{C} / 20 \sim 50\text{sec}$ ,  $T_p = 250^\circ\text{C} / 7 \sim 8\text{sec}$

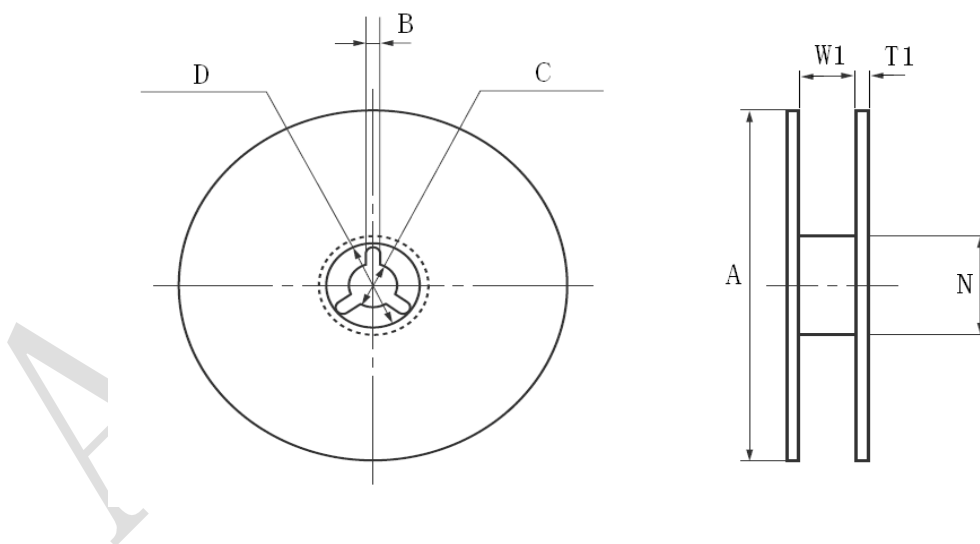


## 2. PACKING

### 2.1 Packing Method Sketch Map (Unit: mm)



### 2.2 Reel Dimensions (Unit: mm)



A	B	C	D	N	W1	T1
$\phi 330 \pm 1.0$	$2.50 \pm 0.50$	$\phi 13.5 \pm 0 \square 50$	$\phi 21.0 \pm 1.00$	$\phi 99.0 \pm 1.00$	$25.4 \pm 1.00$	$2.5 \pm 0.50$



**ZHEJIANG A-CRYSTAL**  
**ELECTRONIC TECHNOLOGY CO., LTD.**



### 3. Products Code

#### 3.1 SMD Crystal Resonators/MHz

公司代码 浙江一晶	产品型号 (2位)	工作频率 (全频点位数)	负载电容 (1位字母)	调整频差 (1位字母)	温度频差 (1位字母)	工作温度 (1位字母)	其它
A-crystal Logo	Package	Nominal Frequency	Load Capacitance	Frequency Tolerating	Freq Temp Characteristics	Operating Temperture Range	Others
A	HF (HC-49U-FA)	8.000M	A = 12.5PF	01=5PPM	A=10PPM	1=0~50	Special
		12.000M	B = 10PF	02=10PPM	B=15PPM	2=-10~60	
			C = 9PF	03=20PPM	C=20PPM	3=-10~70	
			D = 8PF	04=30PPM	D=25PPM	4=-20~70	
			E = 7PF	05=40PPM	E=30PPM	5=-30~85	
			F = 6PF	06=50PPM	F=50PPM	6=-40~85	
			G = 16PF	07=100PPM	G=100PPM	7=-40~105	
			H = 18PF			8=-40~125	
			J = 20PF				
			K = 22PF				
			L = 30PF				